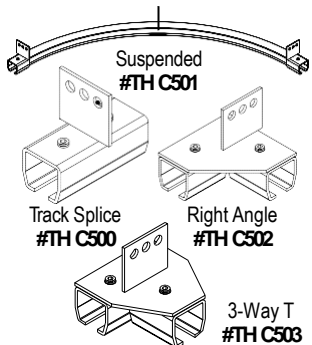




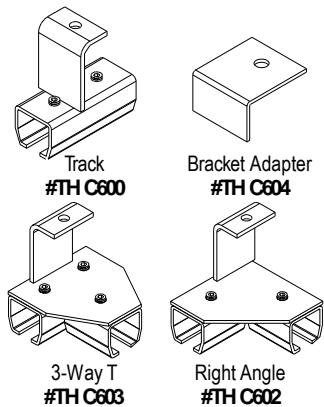
Suspended Mount

Attach track mounts to chain, cable, threaded rod or angle iron.

Beam To Chain

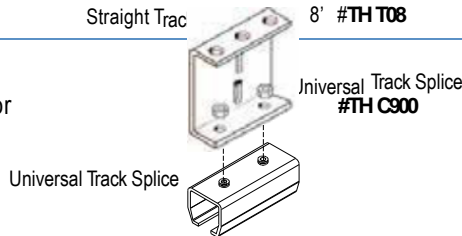


Threaded Rod



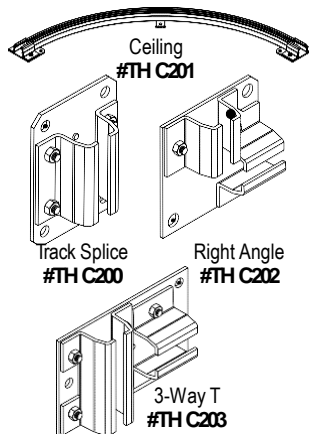
Universal Track Splice

Uniquely versatile. Use Universal Mount for Suspended Mount, Wall Mount, or a Non-Flush Ceiling Mount.

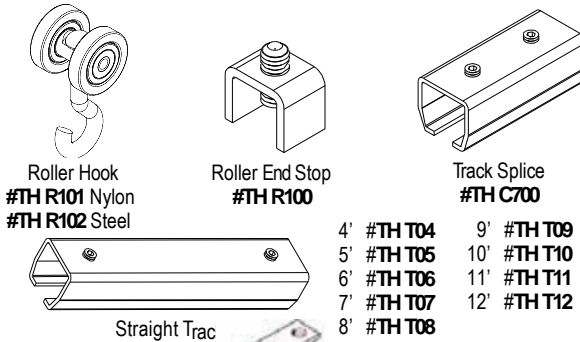


Ceiling Mount

Attach track mount brackets flush to ceiling, floor joists or to bottom of a beam.

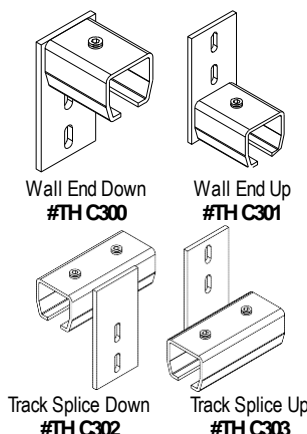


Track and Accessories



Wall Mount

Attach track mount brackets flush to ceiling, floor joists or to bottom of a beam



Floor Mount

Attach track mounts to floor columns erected from heavy-duty 12" floor base.

